









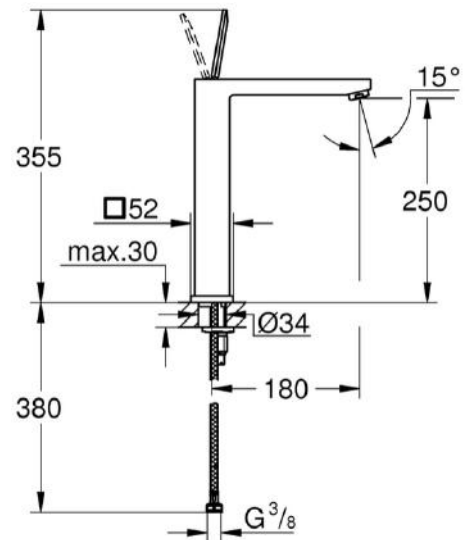
PROJECT		REF		REV	ITEM CODE	
LOCATION		DATE			PAGE	

SANITARY WARE SPECIFICATION SHEET

Item Descriptions	GROHE (Germany) "Eurocube Joy" Single lever chrome plated free standing basin mixer 1/2" XL-Size with feather control	<p>Illustration/ Drawing</p>      
Dimensions	L180 x W52 x H355 mm	
Model	23661000	
Finish	Chrome Plated	
Country of origin	Germany	
Manufacturer	GROHE Limited	
Supplier	Acme Sanitary Ware Co. Ltd Mr. Eric Wong/ Mr. Don Yuen	
Contact Tel/Fax E-mail Website	(852) 2388-7171 / (852) 2710-8012 acme@acmesanitary.com.hk www.acmesanitary.com.hk	

"Eurocube Joy" Basin mixer 1/2" XL-Size

- monobloc installation
- metal lever
- for free-standing basins
- GROHE FeatherControl Joystick cartridge
- GROHE StarLight chrome finish
- GROHE EcoJoy SpeedClean mousseur 5.7 l/min
- GROHE QuickFix Plus installation system
- smooth body
- flexible connection hoses



Note: [YouTube](https://www.youtube.com/watch?v=j7ulmjQH4eM) (GROHE Eurodisc Joy) <https://www.youtube.com/watch?v=j7ulmjQH4eM>

* All information of the above is for the reference only. No prior notice is made if any changes.



PROJECT		REF		REV	ITEM CODE	
LOCATION		DATE			PAGE	

SANITARY WARE SPECIFICATION SHEET

Easy to clean thanks to the GROHE StarLight chrome coating

Just wipe the tap down with a dry cloth – the ultra smooth surface finish is scratch resistant and ensures a lasting luminous sheen. You'll save plenty of time cleaning while your tap always looks shiny and new.

GROHE EcoJoy with water-saving function for reduced consumption

GROHE EcoJoy reduces water consumption by up to 50% without compromising on performance. Whenever you turn on your tap, you will enjoy a full jet of water while saving money nonetheless.

GROHE QuickFix Plus quick and easy installation in a few simple steps

Save time on the installation of your tap with GROHE QuickFix Plus. Consisting of fewer parts, our new system makes the installation process quicker and easier than ever.

Smooth joystick handling for effortless precision and ultimate convenience to last a lifetime. The brand new GROHE FeatherControl cartridge brings joystick control to a whole new level. Using state-of-the-art coated ceramic discs and an innovative sealing, the GROHE engineers have created a joystick cartridge with a wider volume and temperature angle – for a more precise control – with the same silky smooth operation as our renowned GROHE SilkMove® cartridge.

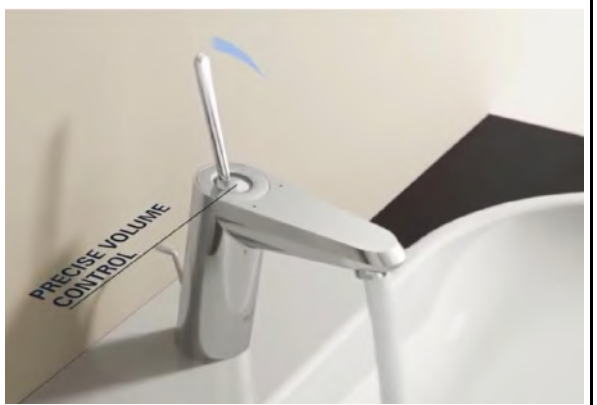
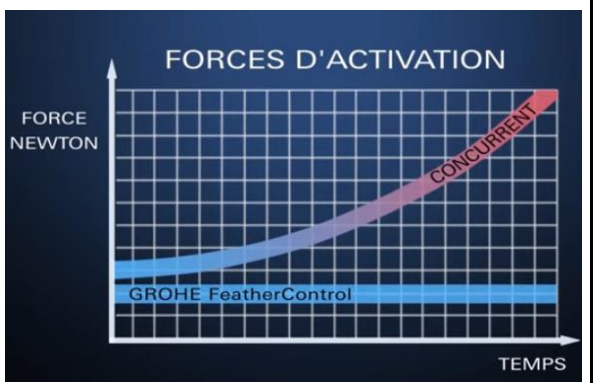
Only GROHE mixers deliver the unique GROHE FeatherControl experience. The solid smooth handling of our joystick-leveler mixers perfectly expresses the quality and superiority of our brand.brand.



The wide FeatherControl temperature angle ensures more precise temperature control.

Effortless fingertip control and silky smooth operation, thanks to the superior ceramic disc-coating.

Even after years FeatherControl guarantees the same smooth operation as on day one.



Note:

* All information of the above is for the reference only. No prior notice is made if any changes.



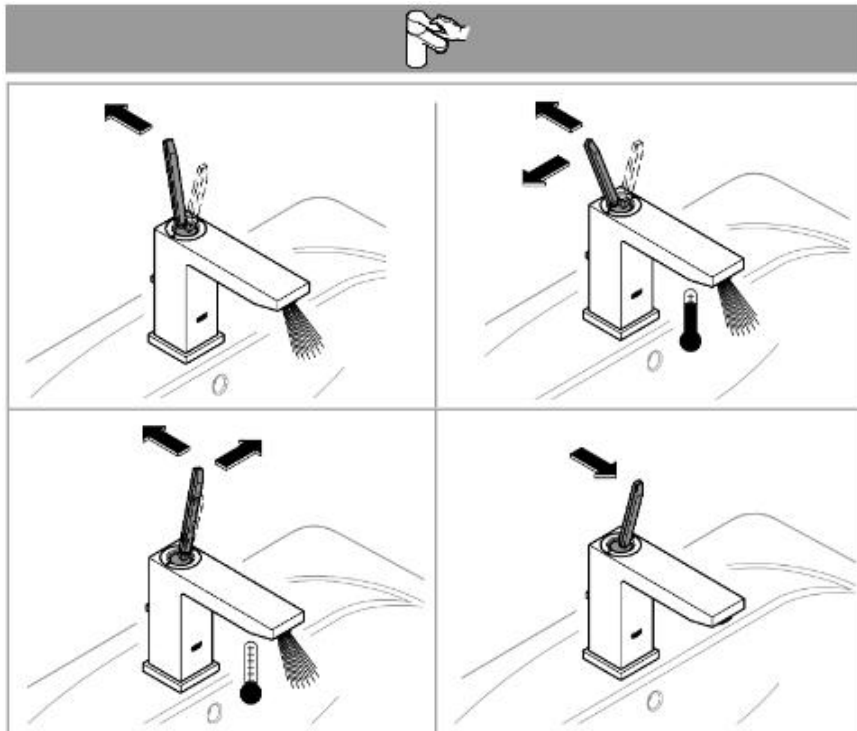
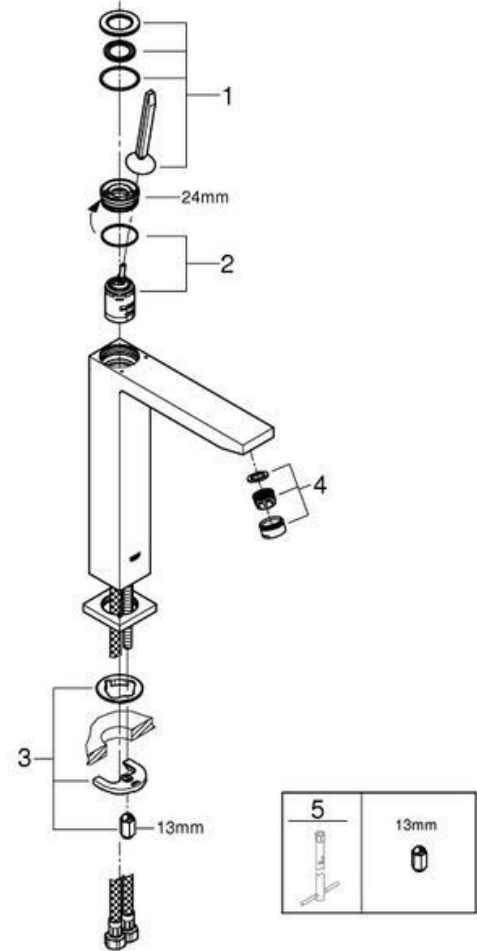
PROJECT		REF		REV	ITEM CODE	
LOCATION		DATE			PAGE	

SANITARY WARE SPECIFICATION SHEET

GROHE EUROCUBE JOY

MAKE A CLEAR STATEMENT

GROHE Eurocube Joy translates your feeling for confident clarity and purism into reality. The cosmopolitan, cubic design with its reduced, right-angled lines expresses quality and innovative thinking – first and foremost with the distinctive joystick for greater ease of use. Overall it's an expression of form providing perfect accents for your modern bathroom architecture. Utterly characteristic. Typical you.



Pos.-nr.	Prod. description	Order-nr.
1	Lever	46945000
2	Cartridge	46907000
3	Shank fastening assembly	46645000
4	Mousseur	48159000
5	Mounting wrench	19017000*

* Optional accessories

Note:

* All information of the above is for the reference only. No prior notice is made if any changes.